

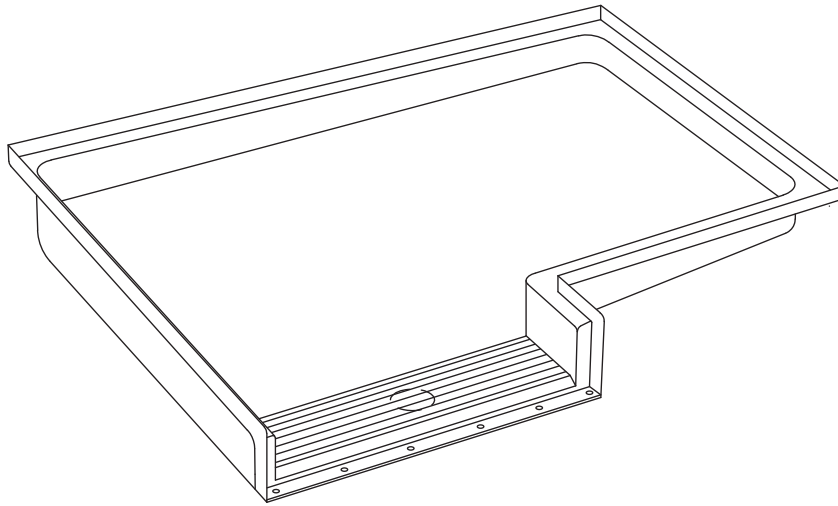
XSB6447TR1.COLRPAN – COMPLIANT SHOWER BASE

Interior: 61 ½ x 44 ½ x 3 ½

Exterior: 64 x 46 ¾ x 4 ½

inches

The alternate roll-in shower base features innovative installation design, including an engineered leveled base and improved front threshold with molded integral linear trench drain. A true time and money saver, our pre-leveled base lets you install directly on a **level** floor. And its front threshold is engineered to keep a constant level with the innovative nailing flange.



COLOR & TRIM OPTIONS

Stock	Upgraded
White	Biscuit Bone

**Additional custom colors available.
(Contact Customer Service)

FEATURES

- Pre-leveled base
- AcrylX™ applied acrylic surface
- ½" skirt
- 1" change of level (COL) exterior threshold
- Barrier free when properly installed
- Center front drain outlet
- Integral front trench drain
- Handing is defined by the Wing Wall
- 36" entry with wing wall (wing supplied by other)
- 30-year warranty*

* See terms and conditions for details

CODE COMPLIANCE

- ADA
- FHA
- ICC/ANSI A117.1
- HUD UM73a
- ANSI Z124.1.2
- CAN/CSA-B45-02

**Code compliant when fully equipped and installed according to guidelines.

asura
Trench Drain Collection
by Comfort Designs



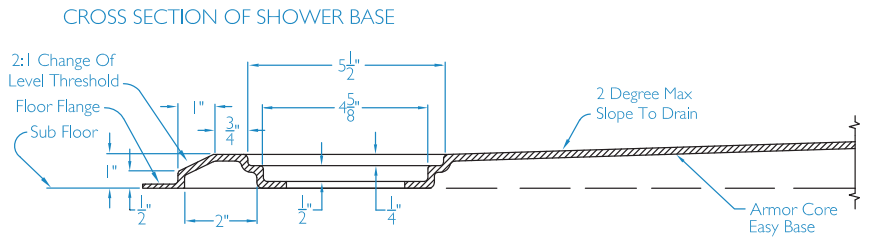
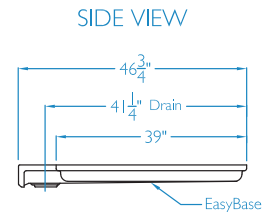
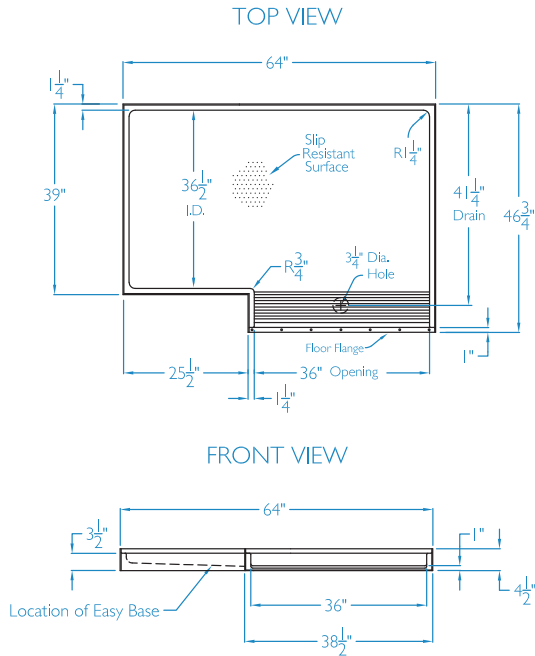
XSB6447TR1.COLRPAN

Interior: 61 ½ x 44 ½ x 3 ½

Exterior: 64 x 46 ¾ x 4 ½
inches



ADA/ANSI compliant when fully equipped and installed according to guidelines.



FEATURES lbs Dimensional Tolerance ± 3/8". Dimensions needed for site preparation should be measured from the unit. Manufacturer assumes no responsibility for preparatory work.

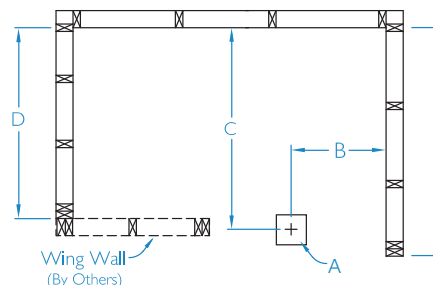
Type and Model #	Material	Wall Finish	Pieces	Drain	Dam/Skirt Height	Net Wt.	Pkg. Wt.
Shower XSB6447TR1.COLRPAN	AcrylX™ applied acrylic	Smooth	1	Center Front	½" Skirt	70	75

DIMENSIONS

Specifications	inches
Width: Ext. / Int.	64 / 61 ½
Depth: Ext. / Int.	46 ¾ / 44 ½
Height: Ext. / Int.	4 ½ / 3 ½
Enclosure Opening:	36
Skirt Height:	½
Drain Rough-In (from Back Wall)	41 ¼
Drain Rough-In (from Side Wall of entry side)	19 ¼

FRAMING DIMENSIONS inches (mm)

Type	D Depth	E Depth	W Width	H Height	A	B	C
Alcove	39	46 ¾	64 ¼	-	Box Out*	19 ¼	41 ¼



See installation instructions for further detail.