

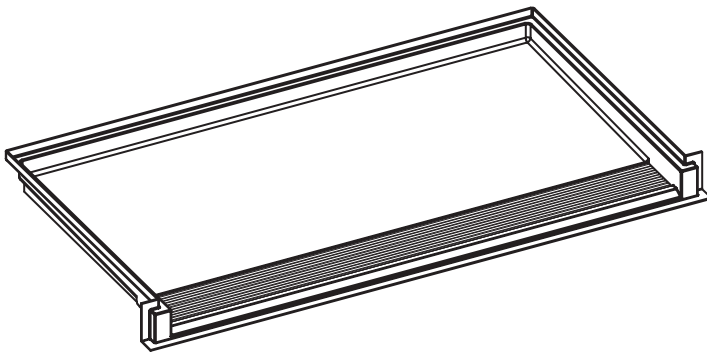
XSB6236TR COL – COMPLIANT SHOWER BASE

Interior: 60 x 34 x 2 5/8

Exterior: 66 x 36 1/8 x 4 5/8

inches

The XSB6236TR COL roll-in shower base features innovative installation design, including an engineered leveled base and improved front threshold with molded integral linear trench drain. A true time and money saver, our pre-leveled base lets you install directly on a **level** floor. And its front threshold is engineered to keep a constant level with the innovative nailing flange.



FEATURES

- Pre-leveled base
- AcrylX™ applied acrylic surface
- 1/2" skirt
- 1/2" change of level (COL) exterior threshold
- Barrier free when properly installed
- Center front drain outlet
- Integral front trench drain
- 30-year warranty*

* See terms and conditions for details

CODE COMPLIANCE

- ADA
- FHA
- ICC/ANSI A117.1
- HUD UM73a
- ANSI Z124.1.2
- CAN/CSA-B45-02

**Code compliant when fully equipped and installed according to guidelines.

COLOR & TRIM OPTIONS

Stock	Upgraded
White	Biscuit Bone

**Additional custom colors available.
(Contact Customer Service)

asura
Trench Drain Collection
by Comfort Designs

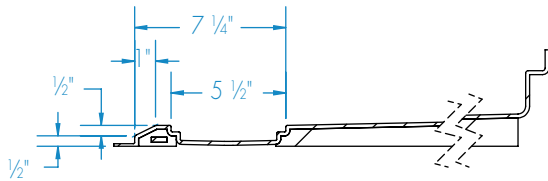
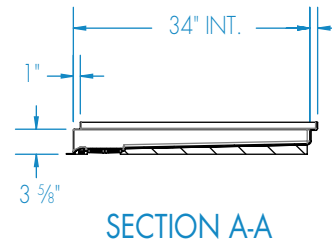
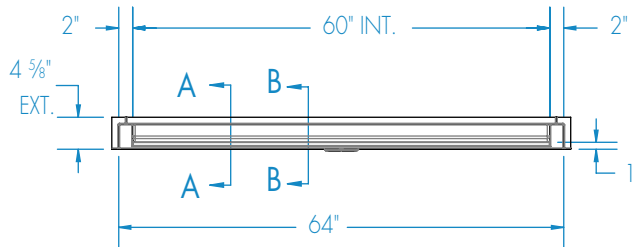
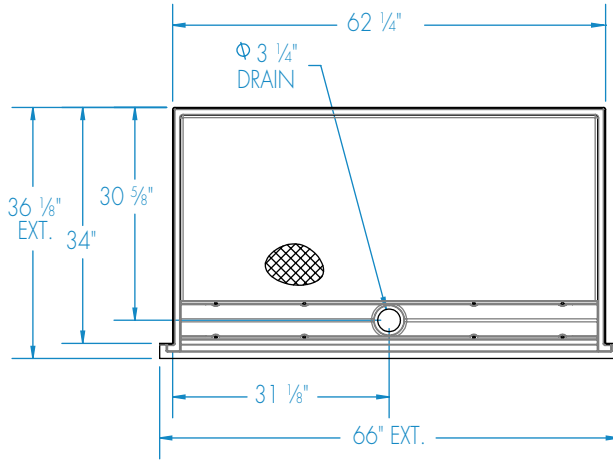


XSB6236TR COL

Interior: 60 x 34 x 2 5/8
Exterior: 66 x 36 1/8 x 4 5/8
inches



ADA/ANSI compliant when fully equipped and installed according to guidelines.



SECTION B-B
Integral Pre-leveled Base
trench grate (included, not shown)

FEATURES lbs Dimensional Tolerance $\pm 3/8"$. Dimensions needed for site preparation should be measured from the unit. Manufacturer assumes no responsibility for preparatory work.

Type and Model #	Material	Wall Finish	Pieces	Drain	Dam/Skirt Height	Net Wt.	Pkg. Wt.
Shower XSB6236TR COL	AcrylX™ applied acrylic	Smooth	1	Center Front	1/2" skirt 1/2" exterior COL threshold	40	50

DIMENSIONS

Specifications	inches (mm)
Width: Ext. / Int.	66 / 60
Depth: Ext. / Int.	36 1/8 / 34
Height: Ext. / Int.	4 5/8 / 2 5/8
Enclosure Opening:	60
Skirt Height:	1/2
Drain Rough-In (from Back Wall)	30 5/8
Drain Rough-In (from Side Wall)	31 1/8

FRAMING DIMENSIONS inches (mm)

Type	D Depth	W Width	H Height	A	B	C
Alcove	34	62 1/4	-	Box Out	31 1/8	30 5/8

