

CUSTOMER: _____

JOB NAME: _____

PO #: _____ QUOTE # _____

DATE: _____ QUANTITY: L _____ R _____

SHIP TO: _____

One Signature Required

_____ /_____/_____
PLUMBING CONTRACTOR APPROVAL DATE

_____ /_____/_____
GENERAL CONTRACTOR APPROVAL DATE

_____ /_____/_____
ENGINEER APPROVAL DATE

_____ /_____/_____
ARCHITECT APPROVAL DATE

To complete your order, this document must be signed and emailed to the Centralized Customer Service Center.
quotes@americanbathgroup.com • 800.443.7269

STANDARD FEATURES

- Pre-leveled base
- AcrylX™ applied acrylic surface
- 1 1/8" skirt
- Compliant when properly installed
- Center front drain outlet
- Integral front trench drain
- Slip resistant, textured bottom [ASTM F-462]

Int. Dim.	60 W x 34 D x 2 1/2 H
Ext. Dim.	66 W x 36 1/8 D x 4 5/8 H
Skirt Ht.	1 1/8 skirt
Packaged Wt.	50 lbs.
Material	AcrylX™ applied acrylic
Warranty	30-year warranty*

* See terms and conditions for details

inches

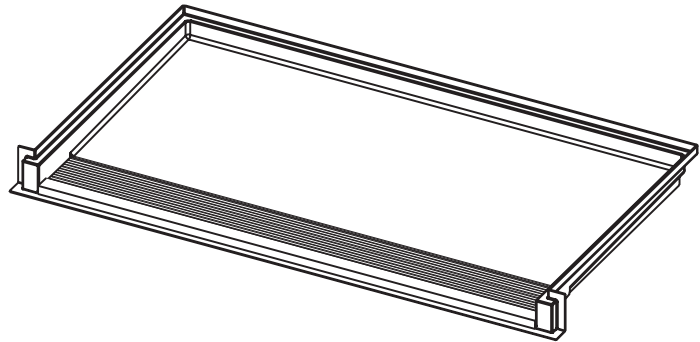
OPTIONS

Grate:

- Stainless steel
- White
- Brass drain

Colors:

- Standard White
- Upgraded Biscuit Bone
- Other (contact customer service for custom color options)



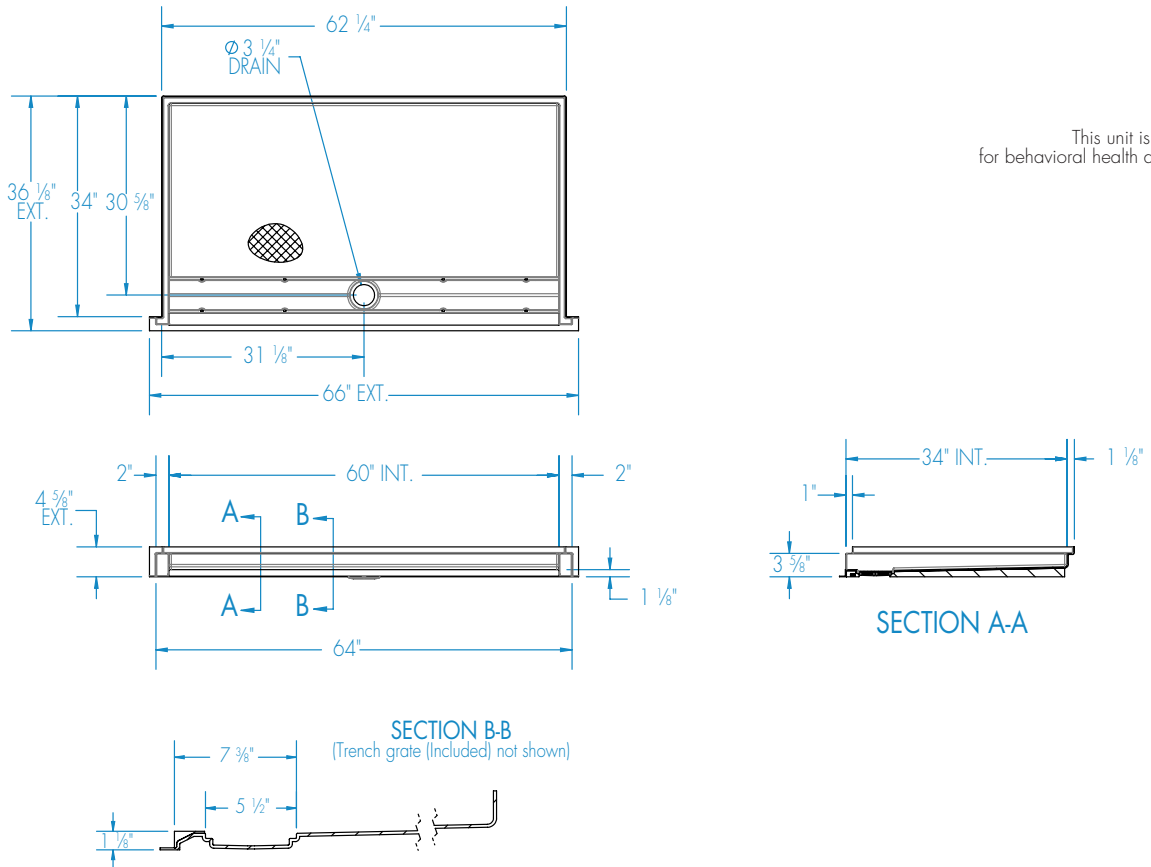
This unit is not suitable for behavioral health applications.



ADA/ANSI compliant when fully equipped and installed according to guidelines.



This unit is not suitable for behavioral health applications.



FEATURES lbs Dimensional Tolerance $\pm \frac{3}{8}$ ". Dimensions needed for site preparation should be measured from the unit. Manufacturer assumes no responsibility for preparatory work.

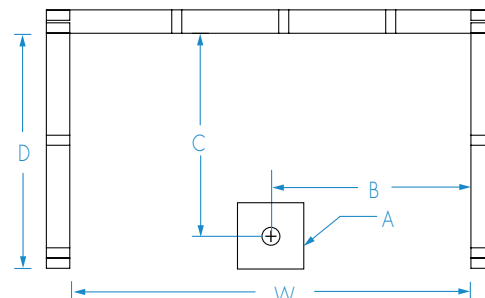
Type and Model #	Material	Wall Finish	Pieces	Drain	Dam/Skirt Height	Net Wt.	Pkg. Wt.
Shower XSB6236TR 1.125	AcrylX™ applied acrylic	Smooth	1	Center Front	1 1/8" skirt	40	50

DIMENSIONS

Specifications	inches (mm)
Width: Ext. / Int.	66 / 60
Depth: Ext. / Int.	36 1/8 / 34
Height: Ext. / Int.	4 5/8 / 2 1/2
Enclosure Opening:	60
Skirt Height:	1 1/8
Drain Rough-In (from Back Wall)	30 5/8
Drain Rough-In (from Side Wall)	31 1/8

FRAMING DIMENSIONS inches (mm)

Type	D Depth	W Width	H Height	A	B	C
Alcove	34	62 1/4	-	Box Out	31 1/8	30 5/8



EMAIL TO THE CENTRALIZED CUSTOMER SERVICE CENTER: quotes@americanbathgroup.com