

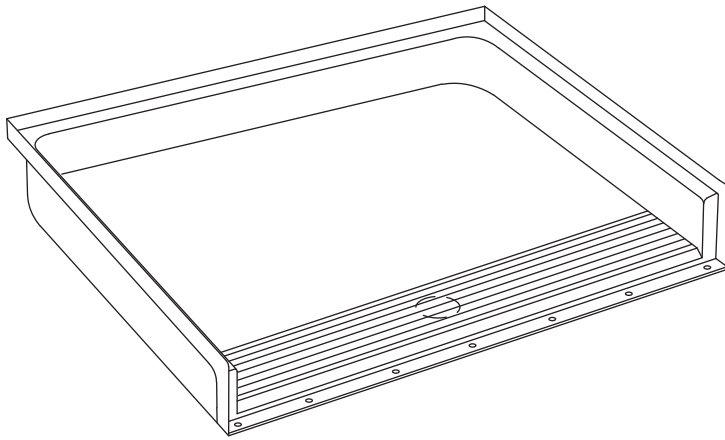
XSB 4836TR 1.0 COLPAN – COMPLIANT SHOWER BASE

Interior: 48 x 36 x 3 ½

Exterior: 50 ¼ x 38 ⅛ x 4 ½

inches

The XSB 4836TR 1.0 COLPAN roll-in shower base features innovative installation design, including an engineered leveled base and improved front threshold with molded integral linear trench drain. A true time and money saver, our pre-leveled base lets you install directly on a **level** floor. And its front threshold is engineered to keep a constant level with the innovative nailing flange.



FEATURES

- Pre-leveled base
- AcrylX™ applied acrylic surface
- ½" skirt
- 1" change of level (COL) exterior threshold
- Barrier free when properly installed
- Center front drain outlet
- Integral front trench drain
- 30-year warranty*

* See terms and conditions for details

CODE COMPLIANCE

- FHA
- ICC/ANSI A117.1
- HUD UM73a
- ANSI Z124.1.2
- CAN/CSA-B45-02

**Code compliant when fully equipped and installed according to guidelines.

COLOR & TRIM OPTIONS

Stock	Upgraded
White	Biscuit Bone

**Additional custom colors available.
(Contact Customer Service)

asura
Trench Drain Collection
by Comfort Designs

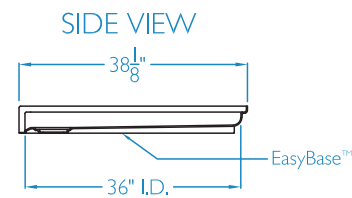
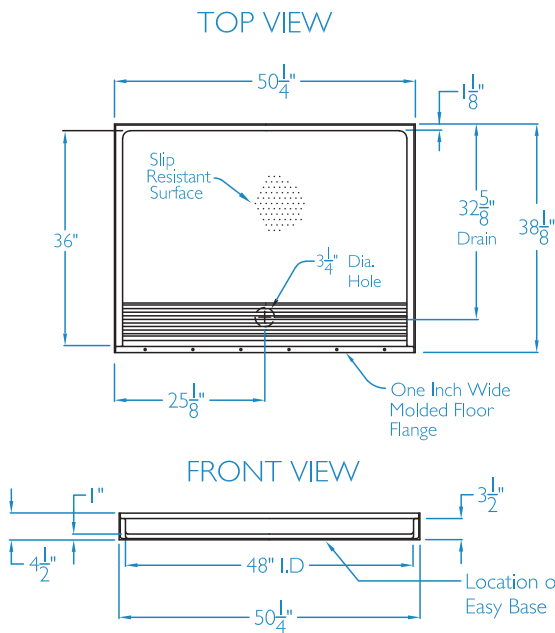


XSB 4836TR 1.0 COLPAN

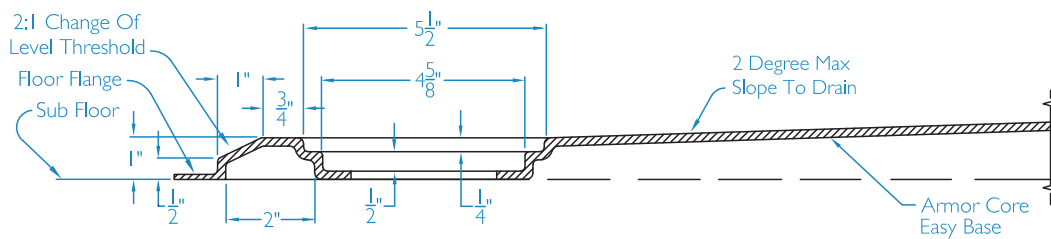
Interior: 48 x 36 x 3 1/2
Exterior: 50 1/4 x 38 1/8 x 4 1/2
inches



FHA/ANSI compliant when fully equipped and installed according to guidelines.



CROSS SECTION OF SHOWER BASE



FEATURES lbs Dimensional Tolerance $\pm \frac{3}{8}$ ". Dimensions needed for site preparation should be measured from the unit. Manufacturer assumes no responsibility for preparatory work.

Type and Model #	Material	Wall Finish	Pieces	Drain	Dam/Skirt Height	Net Wt.	Pkg. Wt.
Shower XSB4836TR 1.0 COLPAN	AcrylX™ applied acrylic	Smooth	1	Center Front	1/2" Skirt	55	60

DIMENSIONS

Specifications	inches (mm)
Width: Ext. / Int.	50 1/4 / 48
Depth: Ext. / Int.	38 1/8 / 36
Height: Ext. / Int.	4 1/2 / 3 1/2
Enclosure Opening:	48
Skirt Height:	1/2
Drain Rough-In (from Back Wall)	32 5/8
Drain Rough-In (from Side Wall)	25 1/8

FRAMING DIMENSIONS inches (mm)

Type	D Depth	W Width	H Height	A	B	C
Alcove	38 1/8	50 1/2	-	Box Out	25 1/4	32 5/8

