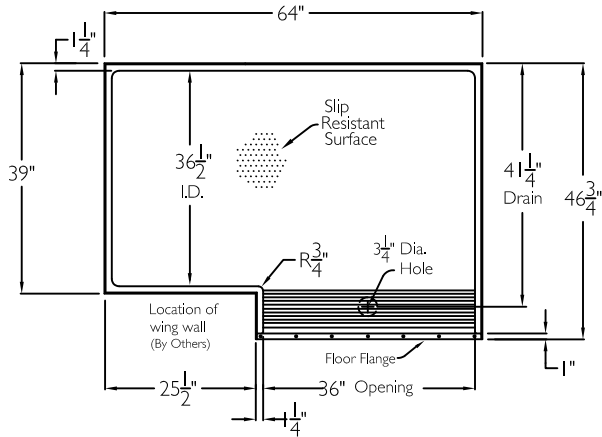
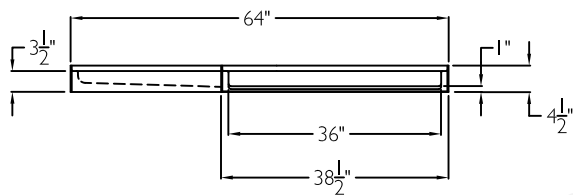


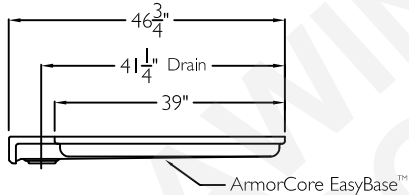
## TOP VIEW



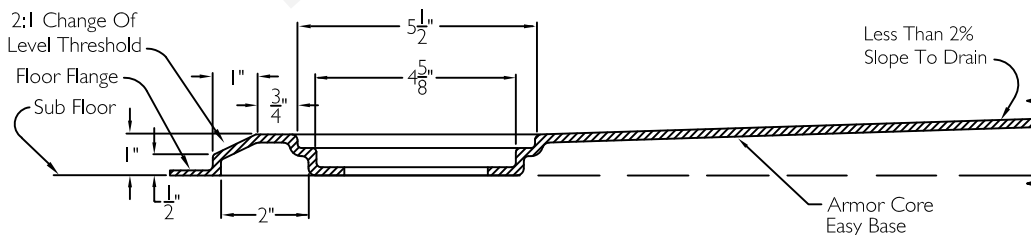
## FRONT VIEW



## SIDE VIEW



## CROSS SECTION OF SHOWER BASE



## SPECIFICATION SHEET

This shower pan shall be Asura model XSB 6447 TR COL I.0 Pan left. Finished surface shall be of a sanitary grade AcrylX™ applied acrylic.  
Unit construction shall be of a molded reinforced fiberglass with a 15% minimum fiberglass content.

The unit shall have outside dimensions of 64" wide x 46 3/4" deep at the entry side, 39" wide on the opposite side, and 4 1/2" High with a 1.0" Change of Level threshold.

The unit shall meet ANSIZ124.1.2, UPC and CSA-B45.5. The unit will comply with ADA and ICC/ANSI A117.1 provided wall above are configured with code required fittings.

## HANDED BY THE WING WALL

The enclosure shall be equipped with the following accessories:

- 1) Integral front trench drain molded into unit,
- 2) Integral perimeter flange along the top,
- 3) L-shaped design for accessible roll in shower configuration,
- 4) Molded off-set to the left for future wing wall (by others),
- 5) Right hand entry,
- 6) AcrylX™ surface finish,
- 7) Stainless steel trench grate,
- 8) Molded floor flange at the entry,
- 9) Armor Core Easy Base,
- 10) 1.0" change of level threshold.

WALLS ABOVE SHOWER PAN PROVIDED BY OTHERS.

Job Name	Approved By Print Name	Date	COMFORT DESIGNS	
Project No	Approved By Signature		Model No. XSB 6447 TR I.0 COL LR ADA Alternate Shower Pan Left	
Comfort Designs 435 Industrial Road Savannah, TN 38372 tel 800.443.7269 fax 731.925.4290 www.comfortdesignsbathware.com	Architect		Drawing No. XSB 6447 TR I.0 COL R ADA Alternate Shower Pan Left	
	Engineer		Date Issued. 12-19-19	Drawing Rev. 7-8-21
	Rep		Material. AcrylX™ Applied Acrylic Surface	
	Wholesaler		Color.	
	Comments		Dimensions are in inches. Due to the nature of the materials dimensions may vary ± 1/2"	