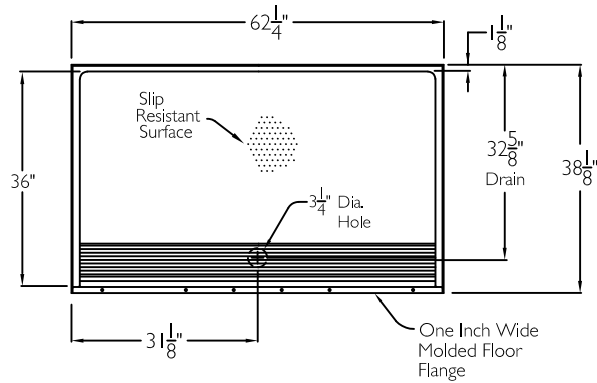
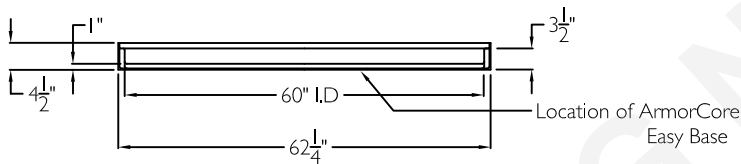


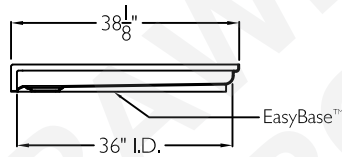
TOP VIEW



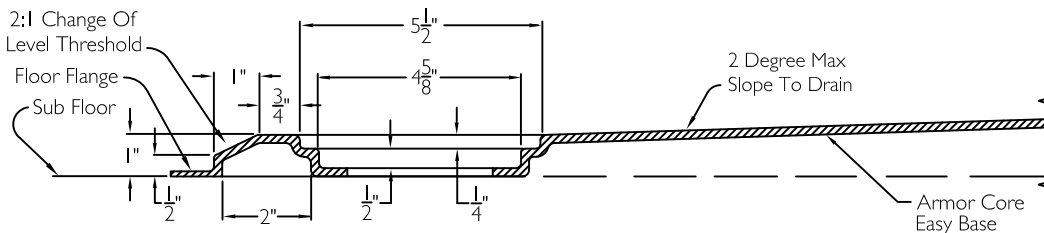
FRONT VIEW



SIDE VIEW



CROSS SECTION OF SHOWER BASE



SPECIFICATION SHEET

This shower pan shall be Asura model XSB 6036TR I.0 COL pan center. Finished surface shall be of a sanitary grade AcrylX™ applied acrylic. The base shall be attached to the sump in such a manner to form an integral part with an inner and outer coating of polyester resin. Unit construction shall be of a molded reinforced fiberglass with a 15% minimum fiberglass content.

The unit shall have outside dimensions of 62 1/4" x 38 1/8" x 4 1/2", with a 1.0" Change of Level threshold.

Inside dimensions shall be 60" x 36".

The unit shall meet CSA B45.5, UPC and ANSI Z124.1.2.

The unit will comply with ADA and ICC/ANSI A117.1 provided walls above are configured with code required fittings.

CENTER DRAIN

The enclosure shall be equipped with the following accessories:

- 1) Integral front trench drain molded into unit,
- 2) Integral perimeter flange along the top,
- 3) Integral molded forward facing flanges,
- 4) Integral molded floor flange at the front,
- 5) AcrylX™ applied acrylic finish,
- 6) Stainless steel trench grate,
- 7) Armor Core Easy Base,
- 8) 1.0" change of level threshold.

Job Name	Approved By Print Name	Date	COMFORT DESIGNS	
Project No	Approved By Signature		Model No. XSB 6036TR I.0 COL	
Comfort Designs 435 Industrial Road Savannah, TN 38372 tel 800.443.7269 fax 731.925.4290 www.comfortdesignsbathware.com	Architect		Drawing No. XSB 6036 TR I.0 COL FF Easy Base PAN	
	Engineer		Date Issued. 12-6-16	Drawing Rev. 4-29-21
	Rep		Material. AcrylX™ applied acrylic	
	Wholesaler		Color.	
	Comments			Dimensions are in inches. Due to the nature of the materials dimensions may vary ± 1/2"