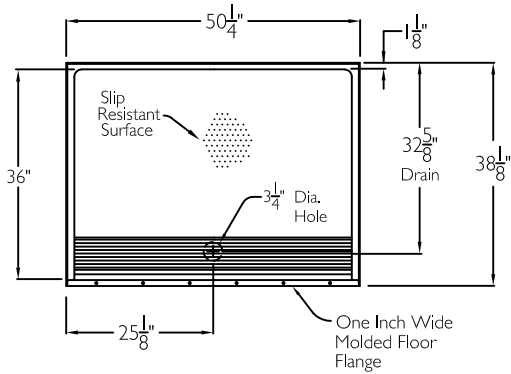


### TOP VIEW



### SPECIFICATION SHEET

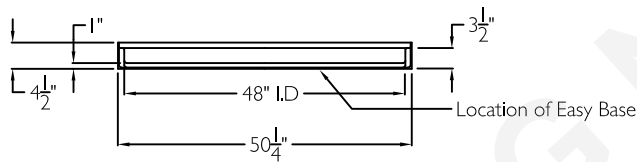
This shower pan shall be Asura model XSB 4836TR 1.0 COL pan center. Finished surface shall be of a sanitary grade AcrylX™ applied acrylic. Unit construction shall be of a molded reinforced fiberglass with a 15% minimum fiberglass content.

The unit shall have outside dimensions of 50 1/4" x 38 1/8" x 4 1/2", with a 1.0" Change of Level threshold. Inside dimensions shall be 48" x 36".

The unit shall meet CSA B45.5, UPC and ANSI Z124.1.2.

### CENTER DRAIN

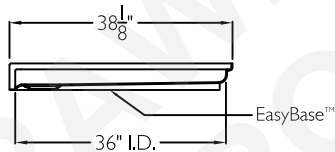
### FRONT VIEW



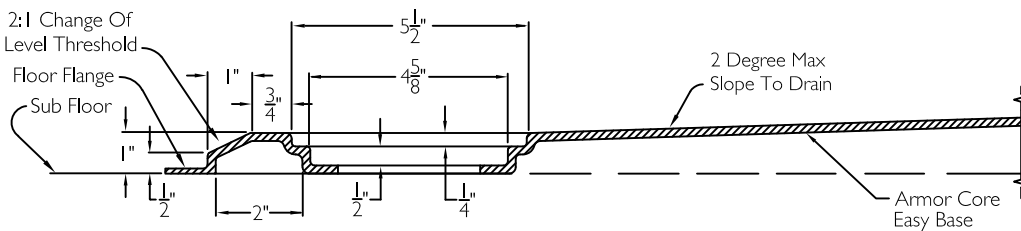
The enclosure shall be equipped with the following accessories:

- 1) Integral front trench drain molded into unit,
- 2) Integral perimeter flange along the top,
- 3) Integral molded forward facing flanges,
- 4) Integral molded floor flange at the front,
- 5) AcrylX™ Applied acrylic finish,
- 6) Stainless steel trench grate,
- 7) Armor Core Easy Base,
- 8) 1.0" change of level threshold.

### SIDE VIEW



### CROSS SECTION OF SHOWER BASE



Job Name	Approved By Print Name	Date	COMFORT DESIGNS	
Project No	Approved By Signature		Model No. XSB 4836TR 1.0 COL	
Comfort Designs 435 Industrial Road Savannah, TN 38372 tel 800.443.7269 fax 731.925.4290 www.comfortdesignsbathware.com	Architect		Drawing No. XSB 4836 TR 1.0 COL FF Easy Base PAN	
	Engineer		Date Issued. 12-6-16	Drawing Rev. 2-9-21
	Rep		Material. AcrylX™ applied acrylic	
	Wholesaler		Color.	
	Comments		Dimensions are in inches. Due to the nature of the materials dimensions may vary ± 1/2"	